

GSM/GPRS/GPS TRACKER USER MANUAL



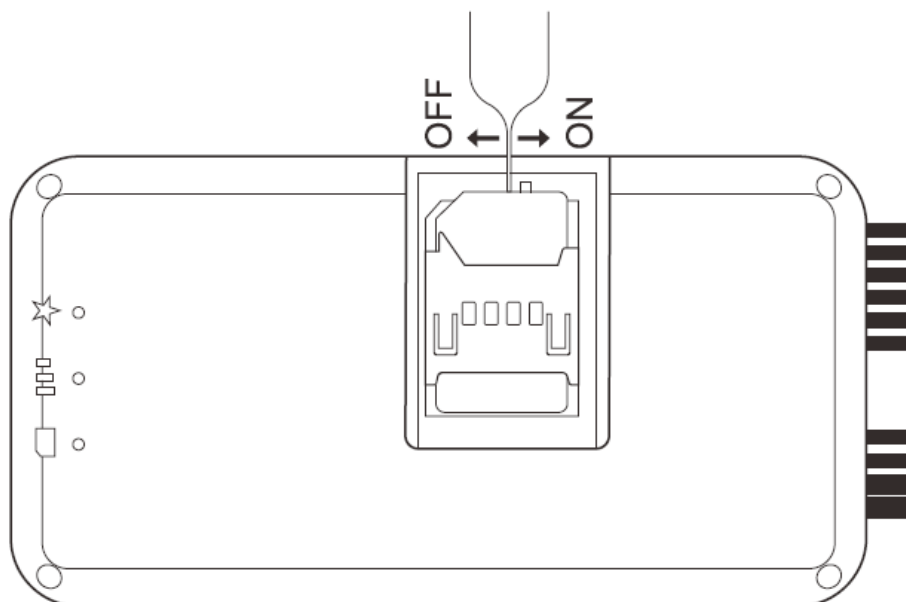
Welcome purchasing the product, please read user manual carefully

◆ Specification

Content	Specs.
Dim.	97 mm x 51 mm x 15 mm
Weight	80g
Network	GSM/GPRS/GPS, TCP/IP
Band	850/900/1800/1900 Mhz
GPS sensitivity	-159dBm
GPS accuracy	10m
Time To First Fix	Cold status 45s-90s Warm status 50s Hot status 15s
Work voltage	12V-24V
Storage Temp.	-40 °C to +85 °C
Operation Temp.	-20 °C to +55 °C
Humidity	15%--95%

◆ SIM card installation

Please insert SIM card before turning the device power switch to on; SIM card need activate GPRS data service; please make sure SIM card with full balance.



◆ Device light description

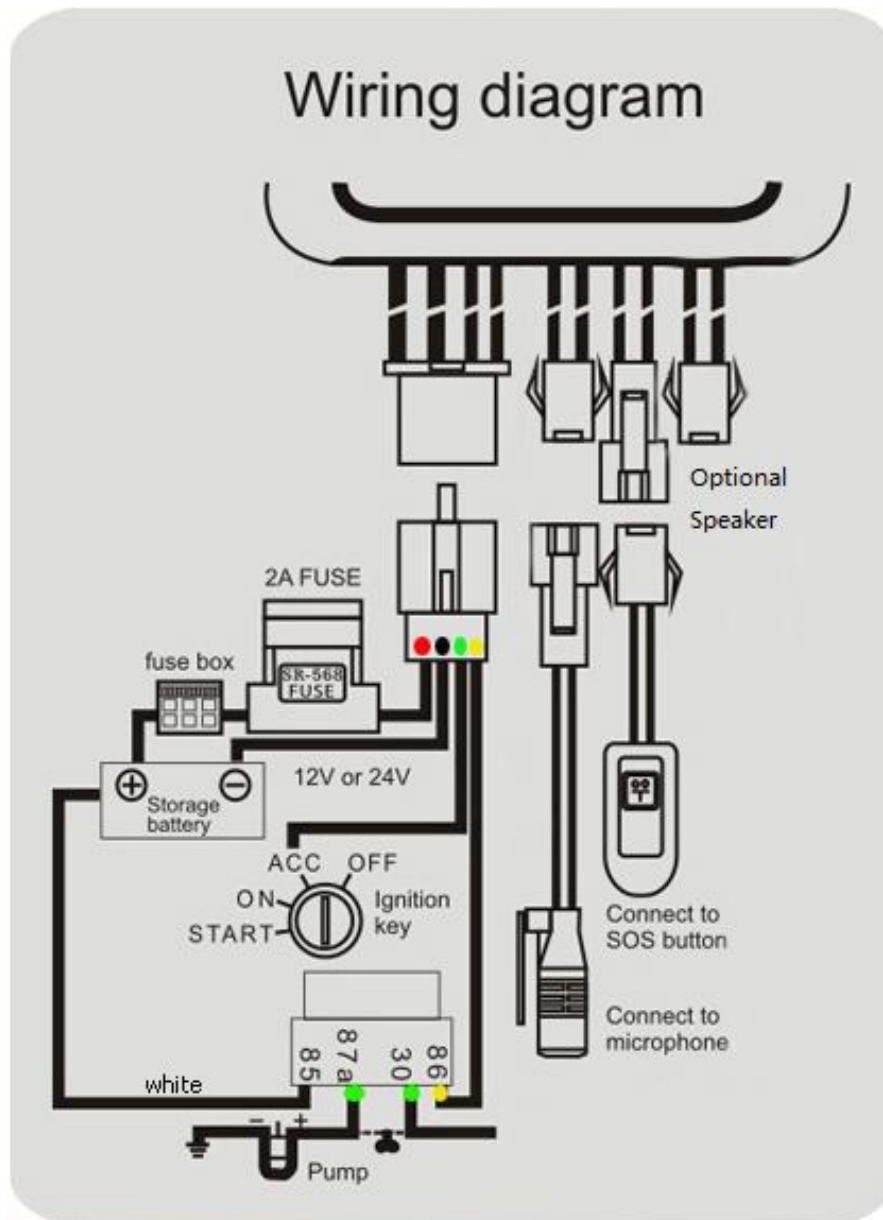
Color	Represents	Status
Red	Power supply	Stable light on
Yellow	GSM signal	Stable light on
Green	GPS signal	Stable light on

Note: All lights will turn off after 5 minutes, if you call the device number, lights will wake up.

◆ Power Wires connection

- 1) 4P power red wire connects to vehicle power positive +
- 2) 4P power black wire connects to vehicle power negative -
- 3) 4P power yellow wire connects to fuel pump or electricity control wires
- 4) 4P power green wire connects to ACC ignition wire
- 5) Other wires connecting to relative accessories in package. If press the SOS button 3-4 s, device will reply "SOS alarm!" to authorized number.

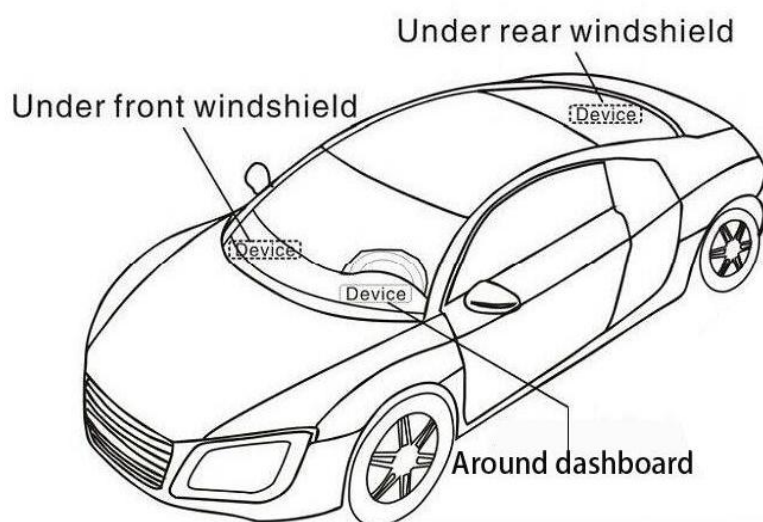
◆ Device wiring diagram



◆ Installation attentions

NOTE: device front side towards the sky.

Installation: if the windscreen glued by metal thermal insulation layer or heating layer, it will reduce the GPS receive signal and lead to GPS work disorder.



Function	SMS Command	Example
Default password:123456, each command must get a reply represents configure OK		
Step1 IP and Port setting	#IP#password#ip address#port#	#IP#123456#www.gps228.com#8989#
Step2 Setting APN	#apn#password#APN content#APN user name#APN password#	#apn#123456#cmnet#
Step3 Single Locating	#smslink#password#	#smslink#123456#
More Features Below (Not necessary)		
Check device parameters	TCP	
Cut fuel or electricity	#stopoil#password# #stopelec#password#	#stopoil#123456# #stopelec#123456#
Recover fuel or electricity	#supplyoil#password# #supplyelec#password#	#supplyoil#123456# #supplyelec#123456#
Set Timezone	#timezone#password#direction#time zone value in hours#time zone in munites#	#timezone#123456#E#5#30#

Set password	#password#old password#new password#	#password#123456#666888#
Set ACC ON alarm	#ACC#ON#	
Cancel ACC ON alarm	#ACC#OFF#	
Set overspeed alarm	#speed#password#speed number#	#speed#123456#080#
Cancel overspeed alarm	#nospeed#password#	#nospeed#123456#
Set time Interval	#at#time interval#sum#0#	#at#10#sum#0#
Resume password	#resume#	#resume#
Set admin number	#admin#password#cell phone number#	#admin#123456#13812345678#
Cancel admin number	#noadmin#password#number#	#noadmin#123456#13812345678#
Initialization	#begin#password#	#begin#123456#
Voice Surveillance	#monitor#password#	#monitor#123456#
Recover Tracker Mode	#tracker#password#	#tracker#123456#
Two-way calling	#call#password#	#call#123456#
<p>Two-way call Mode: need connect an external speaker first, use phone to dial the device number, external speaker rings, press SOS button to pick up the call so it can realize two-way talking function.</p>		

◆ **Web platform GPS tracking software**

Website: www.secumore1818.com

Default IMEI as user name, password 123456.

Searching name “secumore1” to download APP from playstore.